

Econo Lite



Econo Lite

The **Econo Lite Banner Stand** is an affordable, versatile stand in silver with sleek black endcaps. This stand is compact and easy to use with a snap rail and bungee pole.



features and benefits:

- Comes complete with base, snap top rail, three piece bungee pole and carry bag
- One box includes six bannerstands
- Lightweight construction
- Anodized silver finish
- Carry bag included
- Single swivel foot
- 90 day limited hardware warranty against manufacturer defects

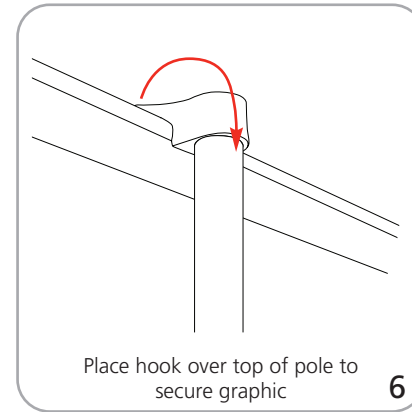
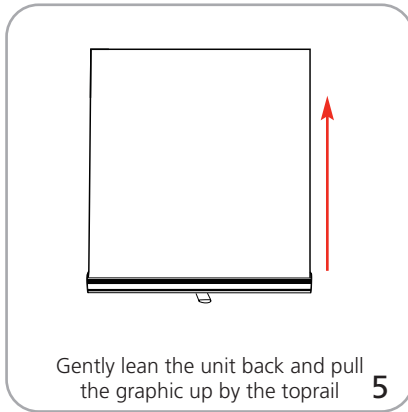
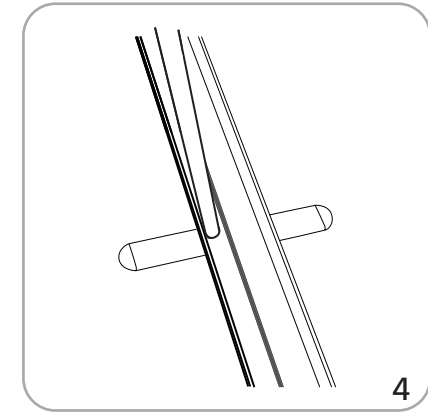
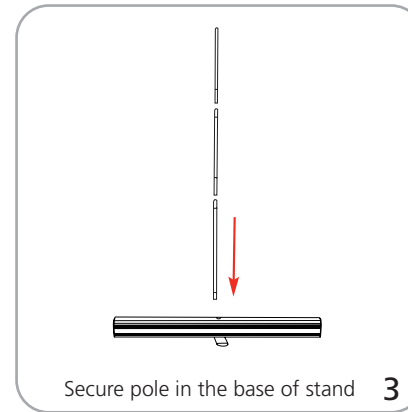
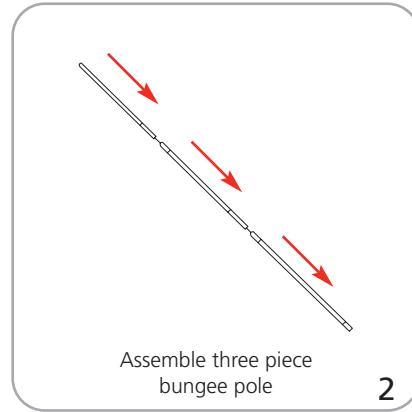
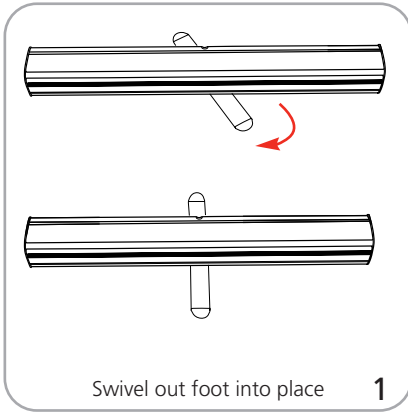
dimensions:

Hardware	Graphic
<p>Assembled unit: 32.17" w x 82.28" x 12.1" d 817mm(w) x 2090mm(h) x 307mm(d)</p> <p>Unit weight: 4 lbs / 1.81 kgs</p>	<p>Total visual area: 31.5" w x 78.5" h 800mm(w) x 1994mm(h)</p> <p>Refer to related graphic template for more information</p>
Shipping	
<p>Shipping dimensions - ships in one box (includes six units): 33.86" l x 12.6" w x 8.7" d 860mm(l) x 320mm(w) x 270mm(d)</p> <p>Approximate shipping weight: 28.66 lbs / 13 kgs</p>	

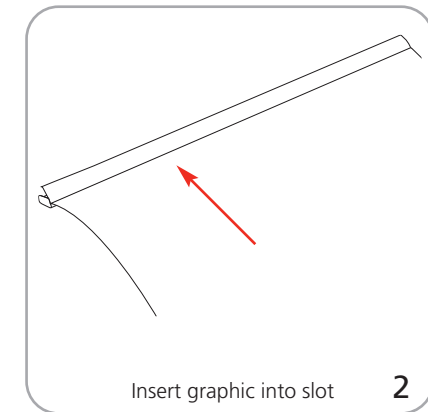
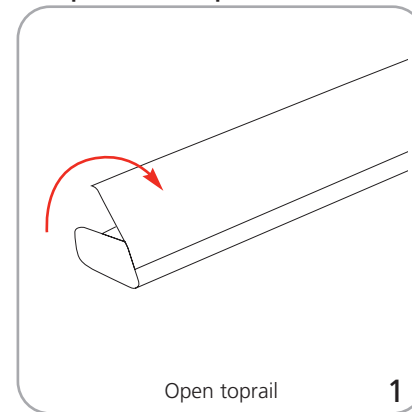
additional information:

Graphic materials:
13 oz flatmaxx vinyl or premium 100% opaque fabric

We are continually improving and modifying our product range and reserve the right to vary the specifications without prior notice. All dimensions and weights quoted are approximate and we accept no responsibility for variance. E&OE. See Graphic Templates for graphic bleed specifications.



Graphic to top rail attachment



Graphic to base attachment

